

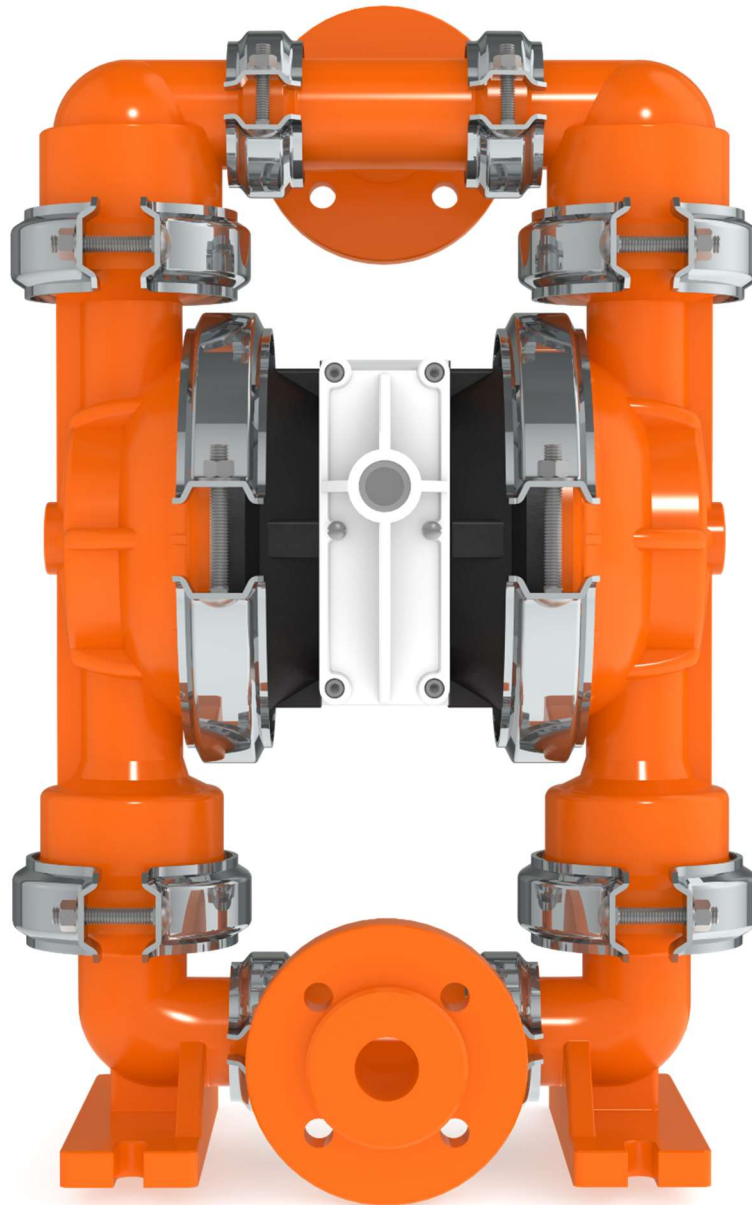


**AIR OPERATED  
DOUBLE  
DIAPHRAGM  
PUMPS**



ISO 9001: 2008  
ISO 14001: 2004

[pricepumps.co.in](http://pricepumps.co.in)



**1½" POLYPROPYLENE PUMP  
AOD 25 PF PPGP/NEO/NE/P/N**

[pricepumps.co.in](http://pricepumps.co.in)



# AIR OPERATED DOUBLE DIAPHRAGM PUMPS



ISO 9001: 2008  
ISO 14001: 2004

[pricepumps.co.in](http://pricepumps.co.in)

## SECTION 1- LEGEND

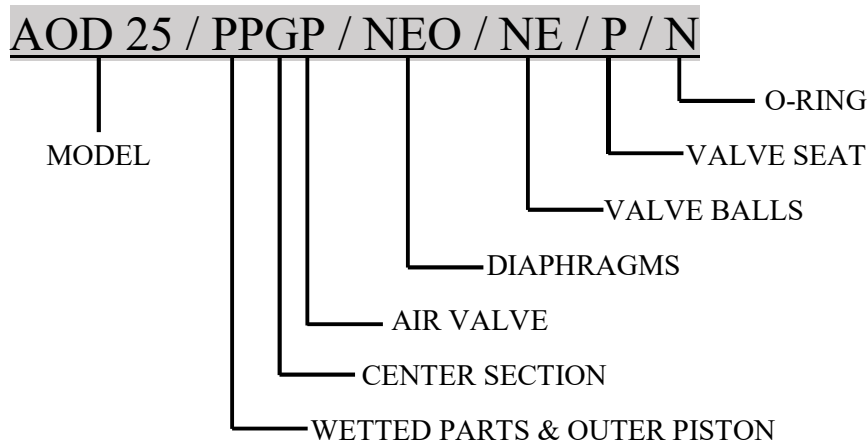
1½” POLYPROPYLENE PUMP

AOD 25/PPGP/NEO/NE/P/N

### MODEL: AOD 25 PF POLYPROPYLENE

38mm (1½”) Pump

Maximum Flow Rate: 379 Lpm (100 gpm)



### MATERIAL CODES

MODEL  
AOD 25 = 1½” PUMP

AIR VALVE  
P = POLYPROPYLENE

VALVE BALL  
NE = NEOPRENE

WETTED PARTS & OUTER PISTON  
PP = POLYPROPYLENE/  
POLYPROPYLENE

DIAPHRAGMS  
NEO = NEOPRENE

VALVE SEAT  
P = POLYPROPYLENE

CENTER SECTION  
G = GLASS FILLED  
POLYPROPYLENE

VALVE SEAT O-RING  
N = NEOPRENE



# AIR OPERATED DOUBLE DIAPHRAGM PUMPS



ISO 9001: 2008  
ISO 14001: 2004

[pricepumps.co.in](http://pricepumps.co.in)

## SECTION 2 – SPARE PART LIST

1½” POLYPROPYLENE PUMP

AOD 25/PPGP/NEO/NE/P/N

SR No.	DISCRIPTION	PART No	QTY
1	LIQUID CHAMBER	25-1002-20	2
2	SUCTION BEND	25-2141-20	2
3	DISCHARGE BEND	25-2151-20	2
4	SUCTION DISCHARGE TEE	25-1203-20	2
5	TEE O RING	40-3146-51	4
6	SEAT O RING	25-3121-51	4
7	NRV BALL	40-1041-51	4
8	BALL SEAT	25-1061-20	4
9	BALL CAGE	25-1092-20	4
10	TEE CLAMP	25-1211-61	8
11	CHAMBER CLAMP	40-1231-61	4
12	SUCTION DISCHARGE CLAMP	25-1221-61	8
13	HOLDING PLATE	40-1111-61	2
14	LOCK NUT	40-1131-20	2
15	DIAPHRAGM	40-2021-51	2
16	BACK UP DIAPHRAGM	N/A	-
17	CENTER BLOCK	40-1301-23	1
18	CENTER BLOCK O RING	40-3155-56	4
19	CENTER BLOCK PIPE	40-1318-03	4
20	CENTER BLOCK PATTI	40-1319-03	4
21	MAIN SHAFT	40-1341-03	1
22	AIR COVER	25-1402-01	2
23	AIR COVER GASKET	40-3311-51	2
24	REDUCER	40-1376-21	1
25	PILOT BUSH	40-1471-07	1
26	PILOT SHAFT	40-1451-03	1
27	PILOT BUSH O RING	40-3161-51	4
28	PILOT SHAFT O RING	15-3176-56	4
29	PILOT SHAFT LOCK O RING	40-3181-51	2



# AIR OPERATED DOUBLE DIAPHRAGM PUMPS



ISO 9001: 2008  
ISO 14001: 2004

[pricepumps.co.in](http://pricepumps.co.in)

## SECTION 2 – SPARE PART LIST (CONTINUED...)

1½” POLYPROPYLENE PUMP

AOD 25/PPGP/NEO/NE/P/N

SR No.	DISCRIPTION	PART No	QTY
30	PISTON BLOCK	40-1501-20	1
31	PISTON	40-1521-69	1
32	PISTON/CAP O RING BIG	40-3201-51	2
33	PISTON O RING SMALL	40-3222-51	4
34	PISTON RING BIG	40-3241-68	1
35	PISTON RING SMALL	40-3246-68	4
36	PISTON BLOCK CAP	40-1571-20	1
37	PISTON BLOCK COVER	40-1561-23	1
38	PISTON BLOCK GASKET	40-3321-51	1
39	PISTON BLOCK COVER GASKET	40-3331-51	1
40	EXHAUST	40-1366-23	1
41	AIR NIPPLE	40-1371-07	1
42	FLANGE	40-1384-20	2
43	STUB END	40-1387-20	2
44	3/8" X 80 MM CARRIAGE BOLTS SS (CHAMBER BOLTS)	04-6023-03	4
45	3/8" X 60 MM CARRIAGE BOLTS SS (SUC/DIS)	04-6022-03	8
46	5/16" X 45 MM CARRIAGE BOLTS SS (TEE CLAMP)	04-6035-03	8
47	3/8" X 1¼" HEX BOLTS SS (AIR COVER)	04-6016-03	8
48	5/16 X 17 X 1.5 MM SS WASHER	04-6215-03	8
49	3/8 X 20.7 X 1.5 MM SS WASHER (CHAMBER)	04-6210-03	20
50	¼" X 4" ALLEN BOLTS MS (P B)	04-6004-61	4
51	3/8 MS HEX NUT	04-6304-61	12
52	5/16 MS HEX NUT	04-6305-61	8
53	P B SCREW MS	04-6321-61	2



# AIR OPERATED DOUBLE DIAPHRAGM PUMPS



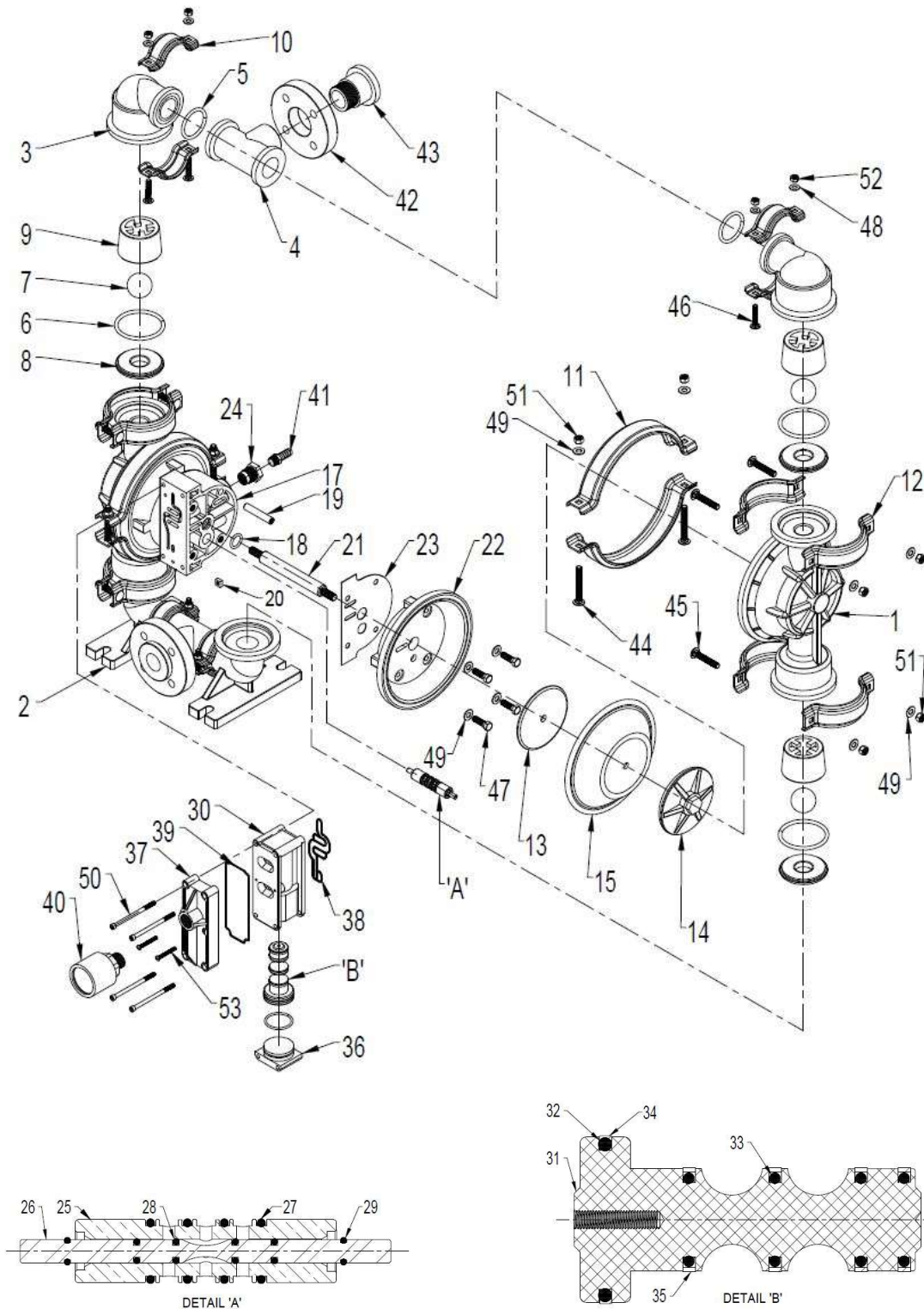
ISO 9001: 2008  
ISO 14001: 2004

pricepumps.co.in

## SECTION 3 – EXPLODED VIEW

1½" POLYPROPYLENE PUMP

AOD 25/PPGP/NEO/NE/P/N





# AIR OPERATED DOUBLE DIAPHRAGM PUMPS



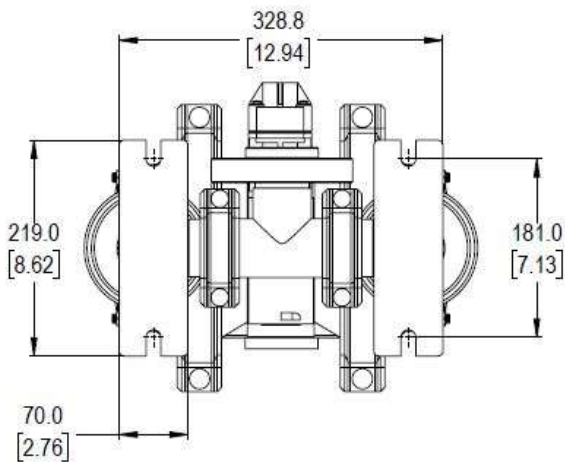
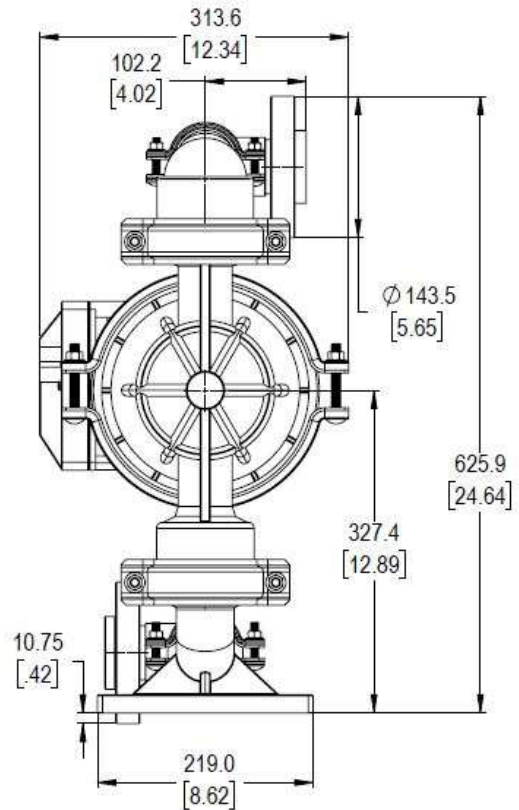
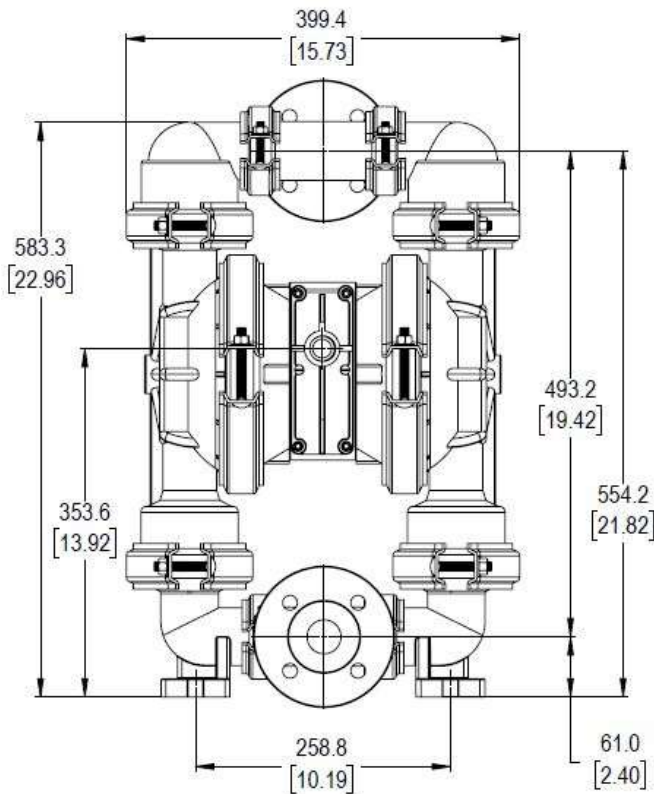
ISO 9001: 2008  
ISO 14001: 2004

[pricepumps.co.in](http://pricepumps.co.in)

## SECTION 4 – DIMENSIONAL DRAWING

1½" POLYPROPYLENE PUMP

AOD 25/PPGP/NEO/NE/P/N





# AIR OPERATED DOUBLE DIAPHRAGM PUMPS



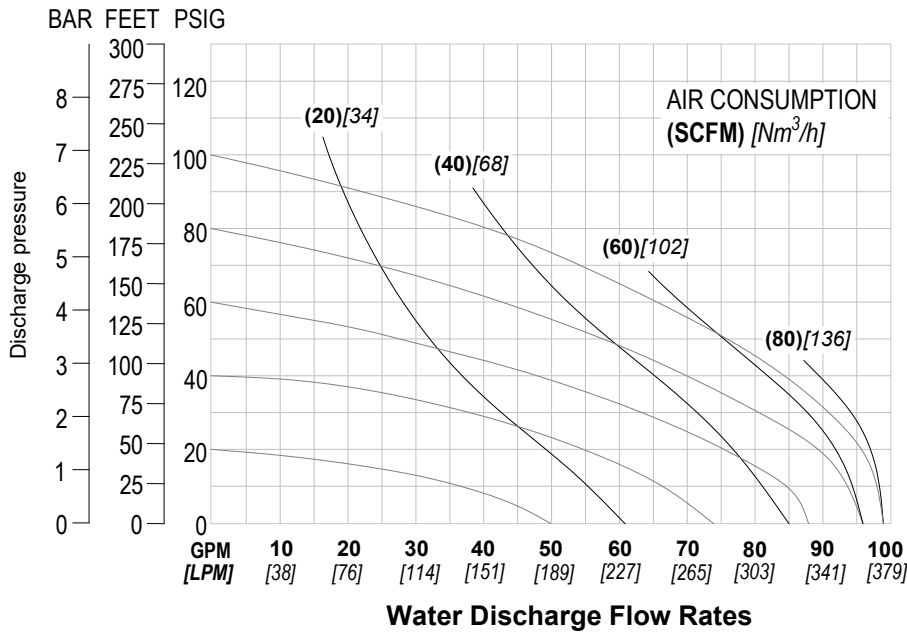
ISO 9001: 2008  
ISO 14001: 2004

pricepumps.co.in

## SECTION 5 – SPECIFICATION & PERFORMANCE

1½” POLYPROPYLENE PUMP

AOD 25/PPGP/NEO/NE/P/N



### SPECIFICATIONS:

MAX FLOW RATE: 379 Lpm (100 gpm)  
 MAX AIR PRESSURE: 7 Kgs  
 AIR INLET: 13 mm (1/2” BSP)  
 PORT INLET: 38 mm (1-1/2” BSP)  
 DISCHARGE: 38 mm (1-1/2” BSP)  
 SUCTION LIFT: DRY: 5.9 m (19.5’)  
 WET: 8.3 m (27.2’)  
 MAX PARTICLE SIZE: (Dia) 4.8 mm (3/16”)  
 AIR EXHAUST: (3/4” BSP)

### SHIPPING DIMENSIONS:

HEIGHT: 680mm (26.77”)  
 WIDTH: 390mm (15.35”)  
 LENGTH: 450mm (17.72”)  
 WEIGHT: 25 Kgs

Price Pumps meet ISO 9001-2015, ISO 14001 & CE quality standards.



**AIR OPERATED  
DOUBLE  
DIAPHRAGM  
PUMPS**



ISO 9001: 2008  
ISO 14001: 2004

[pricepumps.co.in](http://pricepumps.co.in)

**NOTES:**